



High Power Polarization Insensitive Isolator (HI Series)

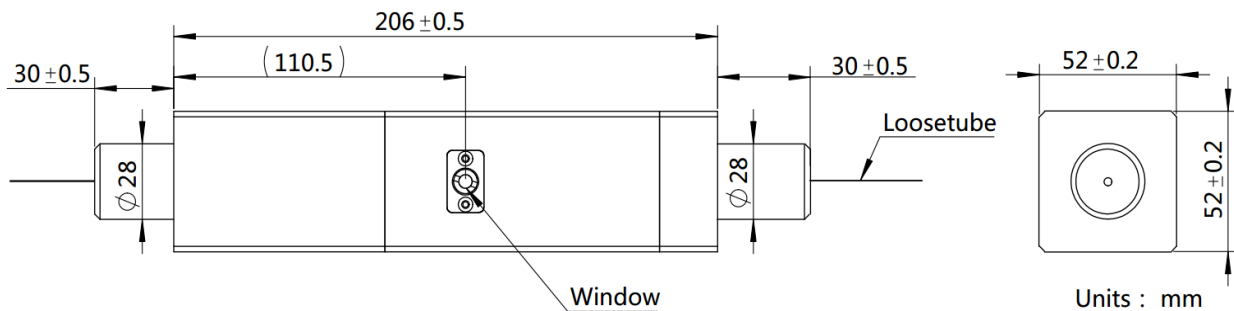
Spec Review No.: SR18475 Date: Dec. 07, 2018

The 1064 nm High Power Polarization Insensitive Isolator is characterized with low insertion loss, high isolation, high power handling, high return loss, excellent environmental stability and reliability. It is ideal for fiber laser and instrumentation applications.

Specifications

Parameter	Unit	Value
Center Wavelength (λ_c)	nm	1064
Operating Wavelength Range	nm	$\lambda_c \pm 10$
Min. Isolation, λ_c , 23 °C, all polarization states	dB	28
Typ. Insertion Loss, 23 °C	dB	0.3
Max. Insertion Loss, 23 °C	dB	0.4
Max. Polarization Dependent Loss	dB	0.2
Min. Return Loss	dB	50
Max. Average Optical Power	W	200
Max. Peak Power for ns Pulse	kW	30
Max. Tensile Load	N	5
Fiber Type		Specified by ordering info
Operating Temperature	°C	10 to +50
Storage Temperature	°C	0 to +60

Package Dimensions



Ordering Information

HI-①①①①-②②②-③-④-⑤-⑥-⑦

①①①①: Wavelength	②②②: Handling Power	③: Fiber Jacket	④: Fiber Length
1064 - 1064 nm	200 - 200 W	B - bare fiber	1 - 1.0 m
SSSS - Specify	SSS - Specify	L - 900 μ m loose tube	S - Specify
		S - Specify	
⑤: Input Fiber Type	⑥: Output Fiber Type	⑦: Power Type	
1 - Nufern LMA-GDF-30/250-M	1 - Nufern MM-GDF-50/400-12-FA	P - Pulse Application	
S - Specify	S - Specify	C - Continuous Wave	